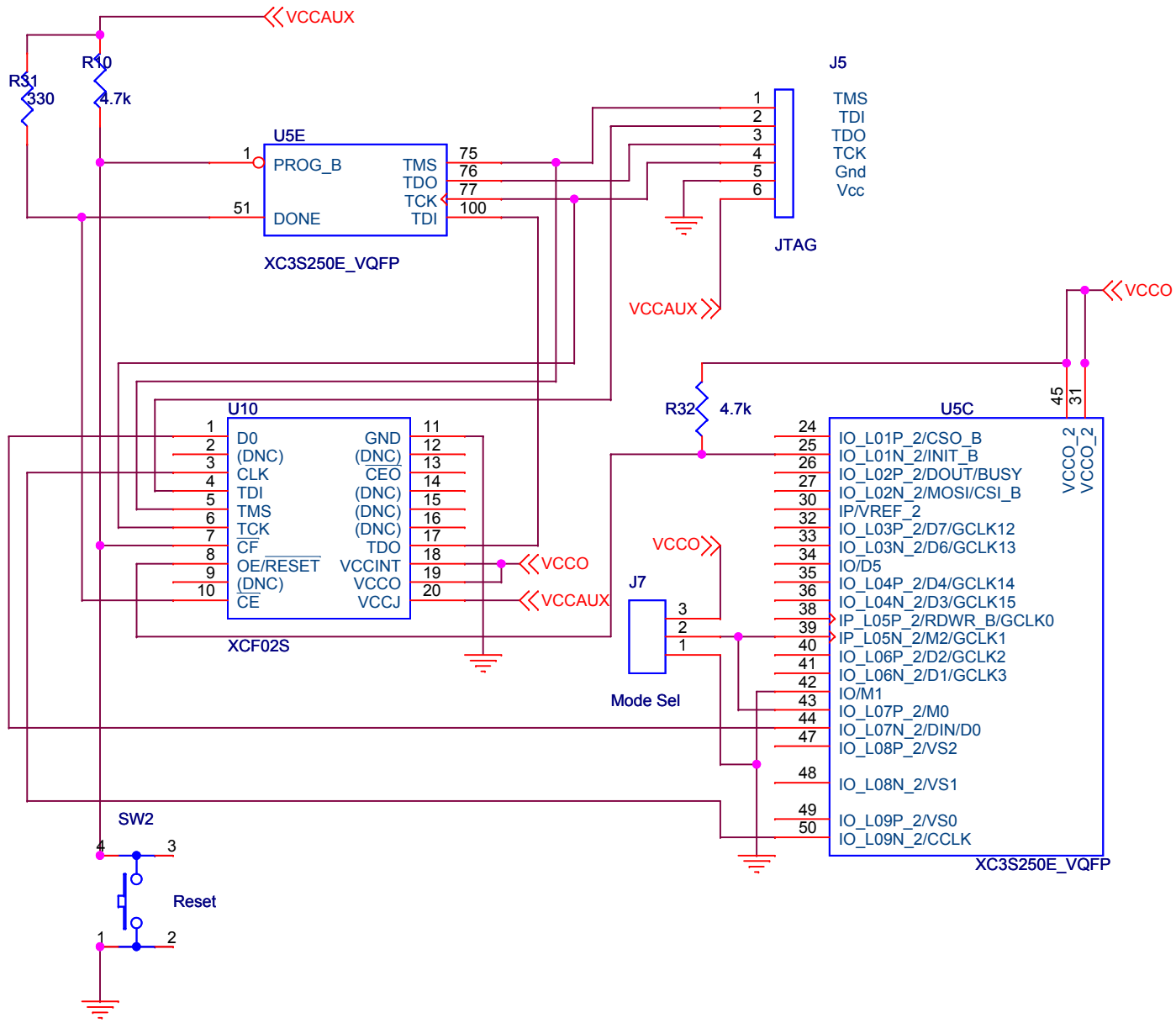
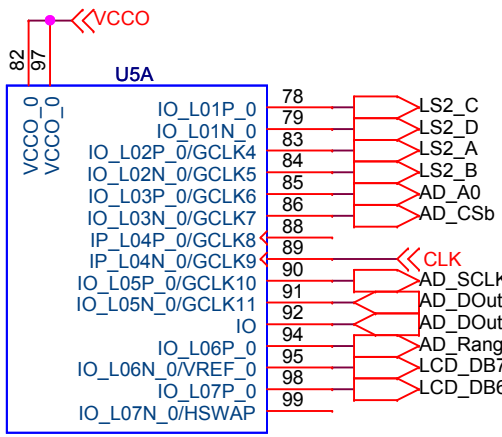


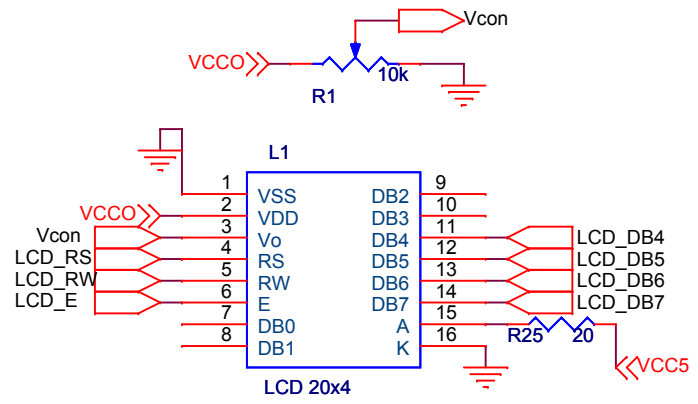
Title		
Power Supply & Oscillator		
Size	Document Number	Rev
A		
Date:	Friday, October 02, 2009	Sheet 1 of 5
	2	1



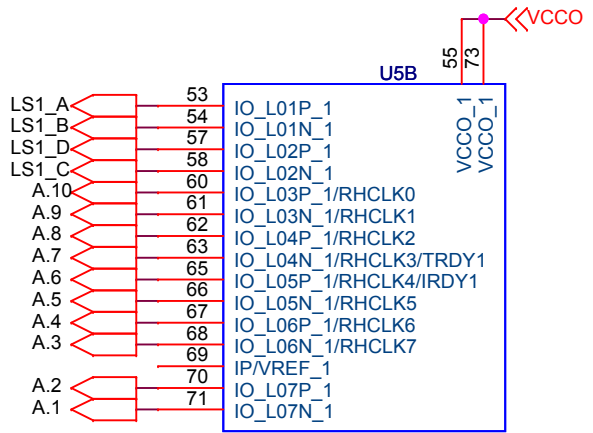
Title		
Configuration		
Size	Document Number	Rev
A		
Date:	Friday, October 02, 2009	Sheet 2 of 5



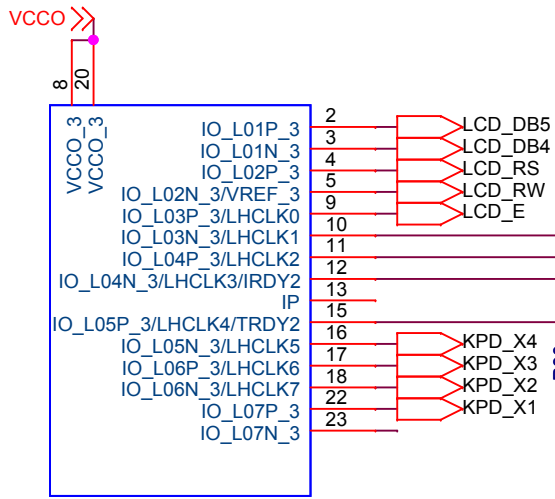
XC3S250E_VQFP



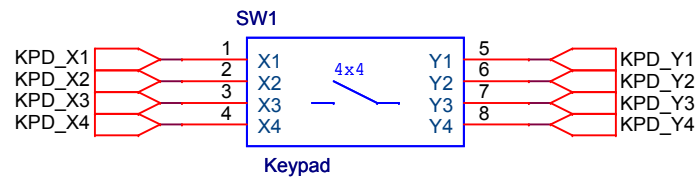
LCD 20x4



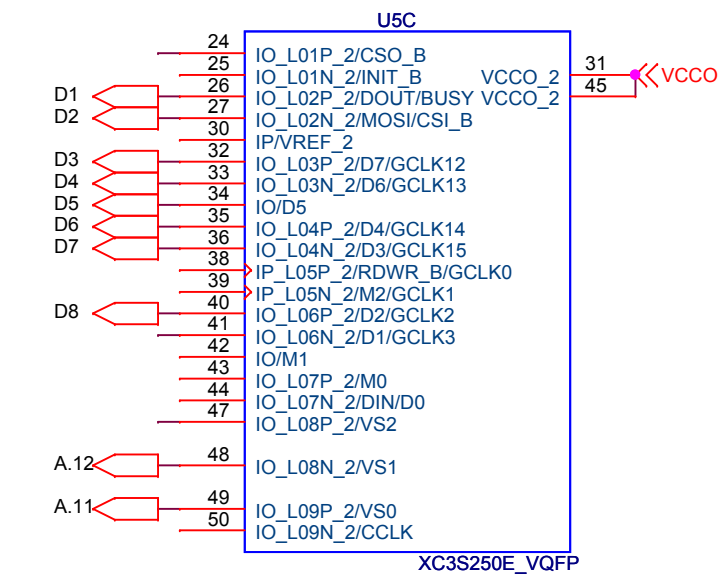
XC3S250E_VQFP



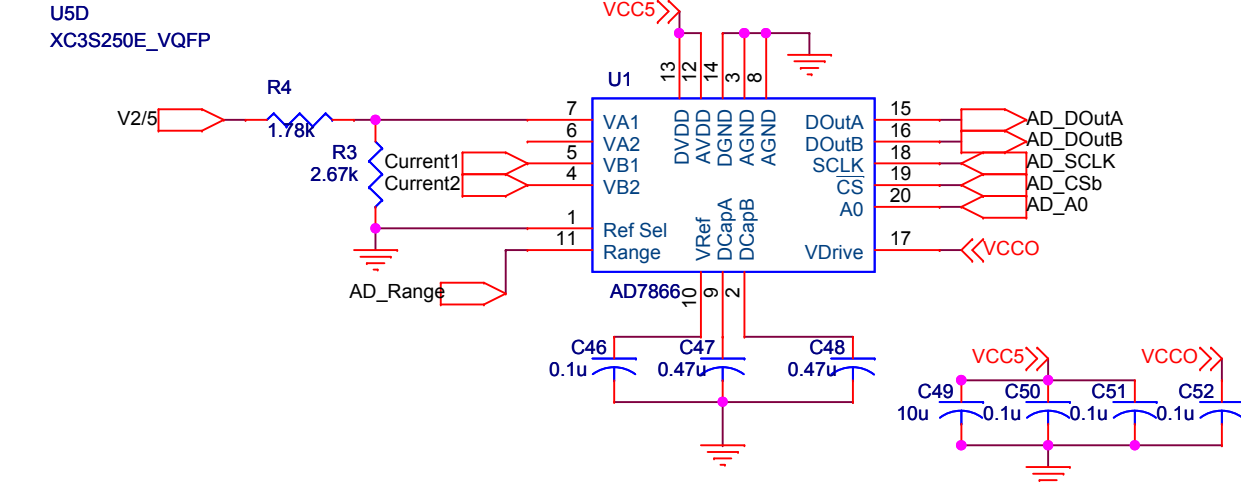
U5D
XC3S250E_VQFP



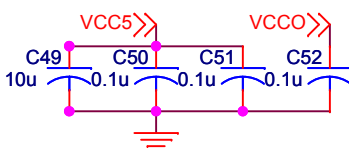
Keypad



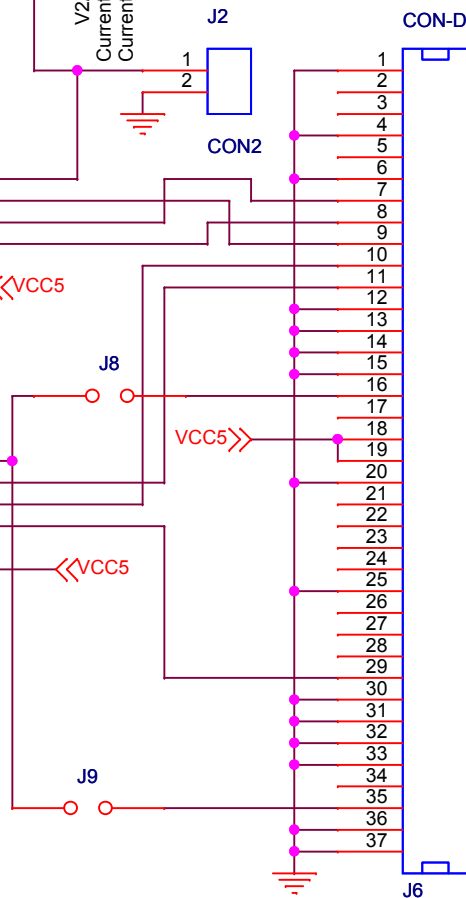
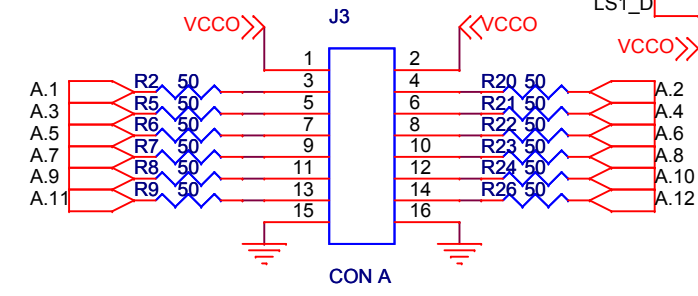
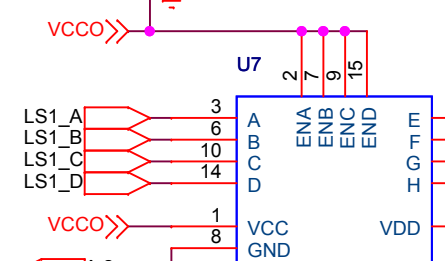
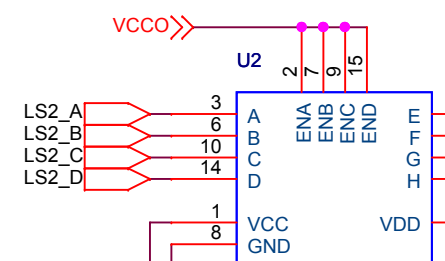
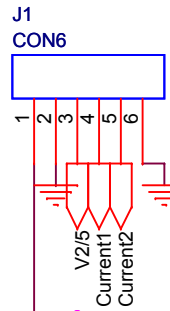
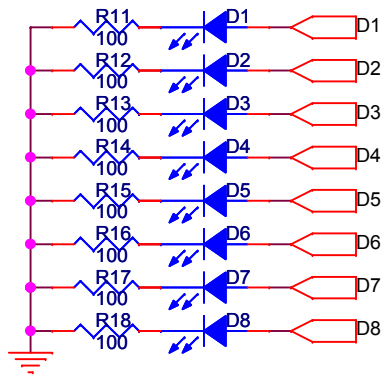
XC3S250E_VQFP



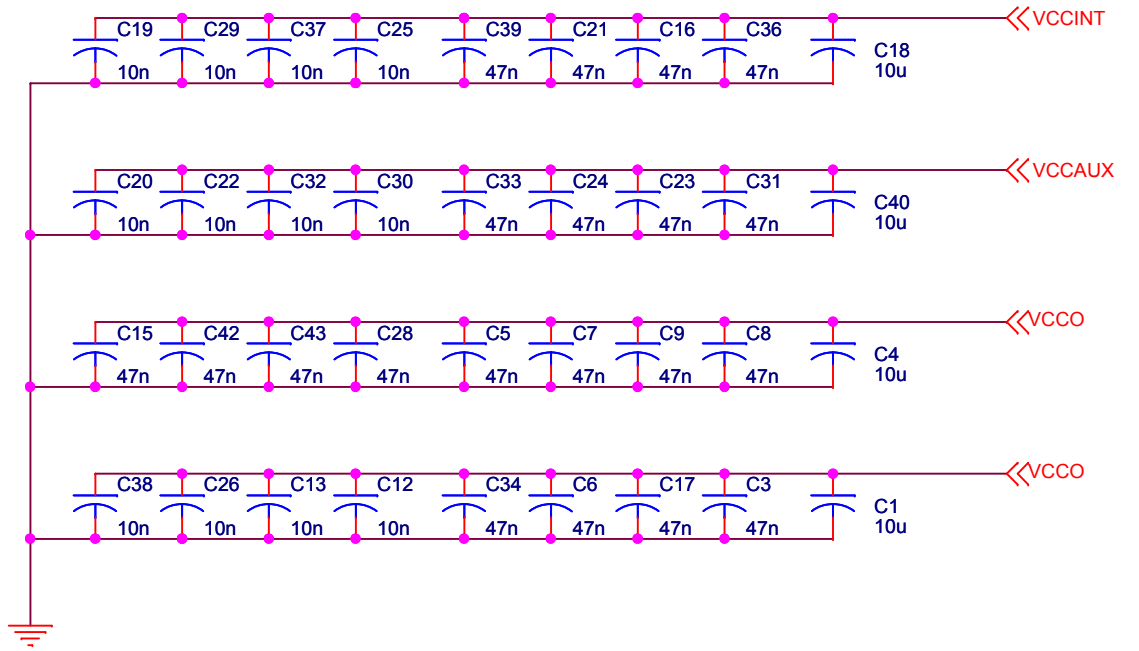
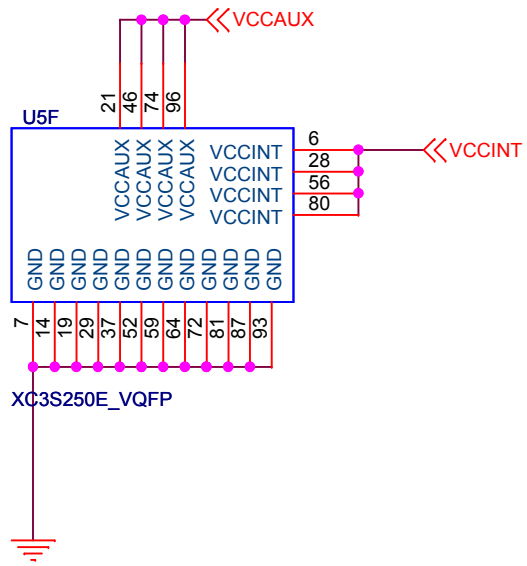
AD7866



Title		
IO Connectors		
Size	Document Number	Rev
A		
Date:	Friday, October 02, 2009	Sheet 3 of 5



Title		
Level Shifters and Interface Connectors		
Size	Document Number	Rev
A		
Date:	Friday, October 02, 2009	Sheet 4 of 5



Title		
FPGA Power Supply		
Size A	Document Number	Rev
Date:	Friday, October 02, 2009	Sheet 5 of 5